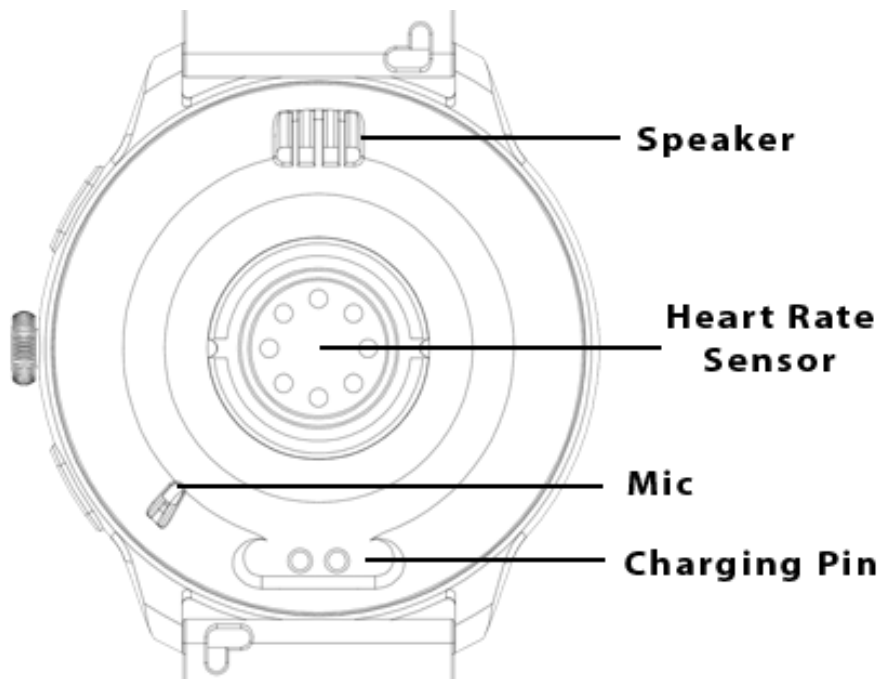


ACTIVE *Pro* CONNECT

Thank you for choosing our smart watch. Please read the manual
carefully before using.





2. Charging instruction

When using it for the first time, Press any key for 5 seconds to start up. It is recommended to charge the watch before the first use.

After connecting the magnetic charging cable to the watch, connect the USB end standard power adapter to charge. The input voltage is required to be 5v, 1a or 5v, 2a.

3. Download APP

Download and Install the app on your phone.

Scan the QR code depending on your app store and download the app to your phone. You can also search and download "**FitCloudPro**" from the Apple APP store or Google Play Store. Make you're your phone OS is up to date and compatible for the watch to pair and work correctly (Compatible with: iOS 11.4 and above and android 6.0 and above).



Scan for iOS



Scan for Android

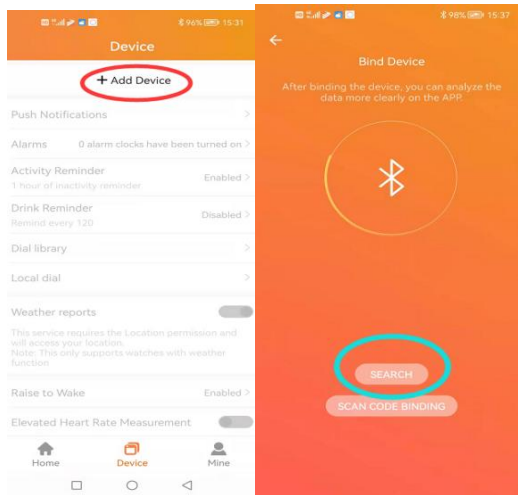
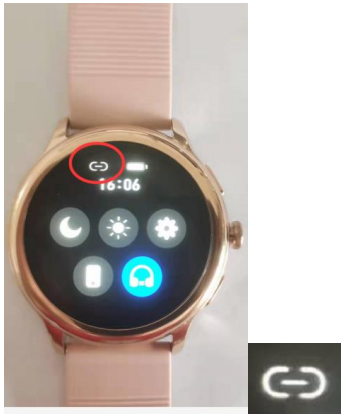
FitCloudPro

Bluetooth Pairing

Step 1 : APP Bluetooth Pairing

User Signup: On loading the app for the first time, for new users, either sign up for an account and login or skip the sign up process.

Pairing: Turn on the Bluetooth on your phone and go to the app downloaded in previous step. Go to the device tab on the app and add a device and connect the watch to the phone. If prompted, allow app to use Bluetooth and location permissions. Once the watch is paired, it will show a status of connected on the device section of the app and the watch will have the icon as the following image.

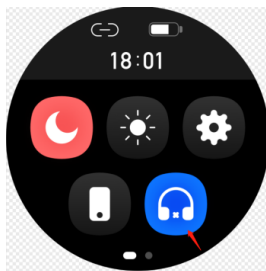


Audio Bluetooth pairing,

After pairing the Audio Bluetooth, user can use the watch to call.

Steps for pairing

(1) Turn on the  Icon on the watch



(2) Go the mobile Bluetooth settings on the phone and search for a new



device to pair.

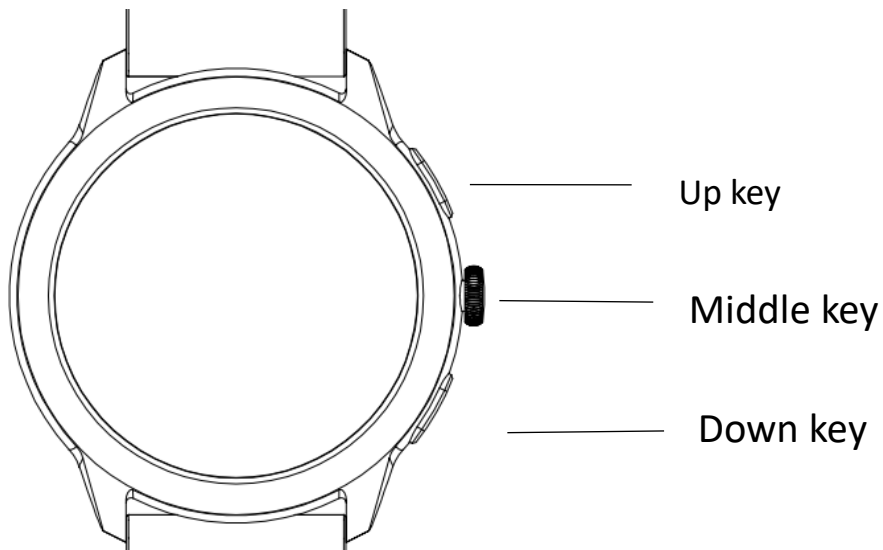
- (3) Look for the APC005 HT in the search list and pair.
- (4) The watch audio should now be connected to the mobile.

Watch dial



Long press on the main home screen for 3 seconds to slide through the dial in the watch. User can import more watch dials through the “Watchface” option in the app.

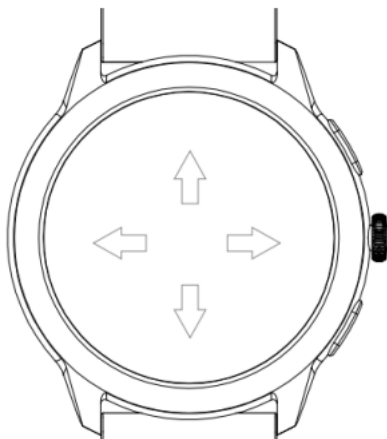
Operation method



Up key : Short press to enter the sports mode.

Middle Key: Short press to enter into the Function interface.

Down key : Short press to return to the main interface or go to power saver.



Left slide: Browse through next option.

Right slide: Go back or previous option.

Up slide: On the main watch dial screen, you can quickly view the notification by sliding up on the screen.

Down Slide: On the main watch dial screen, slide down the screen to view the setting menu.

Product Specification

Chipset: 8762DK

Battery: 230mAh

Screen: 1.32TFT

Working time: 5-7day

Resolution: 360*360

Bluetooth: BT 5.0

Waterproof: IP67

Strap Material: Silicon

HR Sensor: HRS3300

Working Temperature: -10 – +50

OS: iOS 11.4 & Above, Android 6.0 & Above

Package: Watch, Strap, USB Cable, Manual

Main Function

Push notifications, Music Player, Make phone calls, Incoming call reminder, Heart rate monitoring, Blood pressure monitoring, Blood oxygen monitoring, Find mobile phone, Alarm clock, Stopwatch, Steps, Distance, Weather, Calorie, Sleep monitoring, multiple exercises, Physiological Cycle, Timer

Languages

Simplified Chinese, English, German, Spanish, French, Italian, Japanese, Russian, and more.



Important Notes:

- Do not seriously impact the watch.
- Do not touch benzene, diluent and other chemicals.
- Keep away from strong magnetic field and electric shock station.
- Please avoid direct light or heating appliances.
- Do not disassemble or try to repair it yourself.
- Waste packaging and batteries. Old electronic products, please classify and properly handle them.
- Do not wear the band when in shower / bathing. (Temperature not exceeding 45 degrees)
- No soaking, diving, or bathing.
- This product is an electronic monitoring product, not for medical reference, the data is for reference only.

Please use factory reset with caution.

Restoring factory settings will result in the loss of all APP content settings and historical data of the watch.